



CHUCK

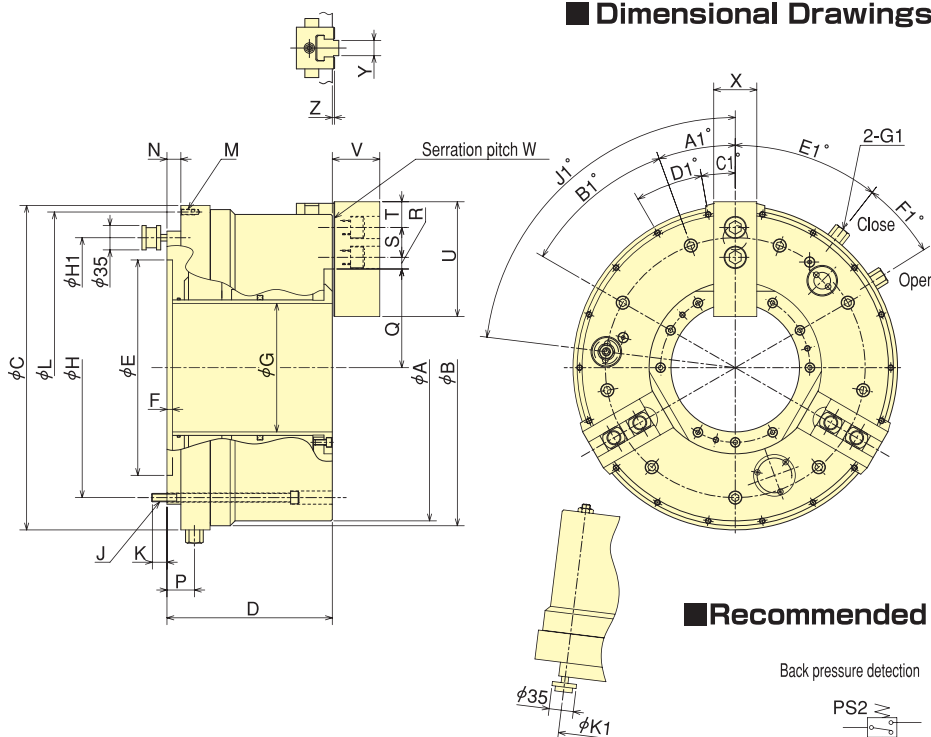
3-Jaw Air-Operated Self Contained Chuck UPR series

Air-operated chuck perfect for oil pipe standards

- Easy installation
- Easy centering adjustment
- Service & maintenance improved.
Easy replacing consumable parts



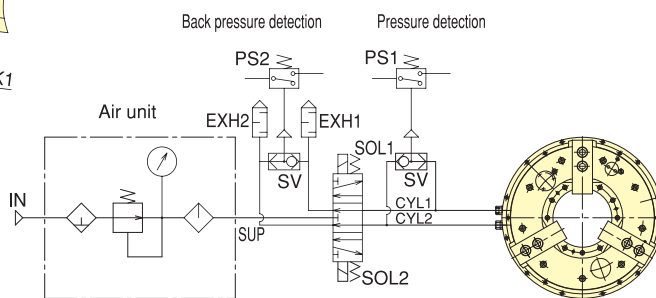
Dimensional Drawings



Dimensions

Model	A	B	C (0-0.2)	D	E (H7)	F	G	H	J	K	L
UPR450	441	455	467	238	310	8	185	374	9-M12	22	448
UPR600	590	605	605	272	450	8	275	508	12-M12	22	585
UPR650	655	675	685	283	510	8	325	580	12-M16	24	666
UPR710	715	740	750	283	550	8	375	620	9-M16	24	730
UPR910	915	915	925	291	700	10	560	800	12-M16	26	905

Recommended air circuit diagram



Model	M	N	P	Q max.	Q min.	R max.	R min.	S	T	U	V	W	X	Y (h8)	Z	A1	B1	C1	D1	E1	F1	G1	H1	J1	K1
UPR450	18-M8 Depth 20	20	39.5	142	122	34.75	16.75	43	37	165	68.3	1.5	62	22	3.3	20°	9x40°	10°	18x20°	38°	20°	Rc3/8	374	83°	374
UPR600	18-M8 Depth 20	20	50	196.5	171.5	32.5	20.5	60	39.5	180	70.5	3	65	25.5	3.3	15°	12x30°	0°	18x20°	25°	20°	Rc3/8	508	60°	508
UPR650	18-M8 Depth 20	20	50	223	198	38.5	20.5	60	40	209.5	81.3	3	75	30	3.3	15°	12x30°	0°	18x20°	25°	20°	Rc1/2	580	60°	580
UPR710	18-M8 Depth 20	20	43	248	223	50.5	23.5	60	40	209.5	81.3	3	75	30	3.3	20°	9x40°	0°	18x20°	30°	15°	Rc1/2	620	45°	620
UPR910	18-M8 Depth 20	33	56	342	317	50.5	23.5	60	40	209.5	81.3	3	75	30	3.3	15°	12x30°	0°	18x20°	30°	15°	Rc1/2	800	60°	800

Specifications

Model	Plunger Stroke mm	Thru-Hole mm	Jaw Stroke (diameter) mm		Gripping range mm		Max. Gripping Force kN (kgf)	Max. Speed min ⁻¹	Net Weight kg	Moment of inertia kg·m ²	Max. pressure MPa
			Rapid	Gripping	Max.	Min.					
UPR450	53	185	26	14	441	127	100(10197)	1300	195	5.5	0.6
UPR600	53.5	275	33	17	590	235	120(12236)	1100	365	19.7	0.5
UPR650	53.5	325	33	17	655	240	147(14990)	1000	476	32.2	0.6
UPR710	53.5	375	33	17	715	294	162(16519)	900	532	43.1	0.6
UPR910	53.5	560	33	17	915	475	162(16519)	600	735	103	0.5