

NC ROTARY TABLE

Rotary Table TC100

5C Collet Manual specification



TCM100

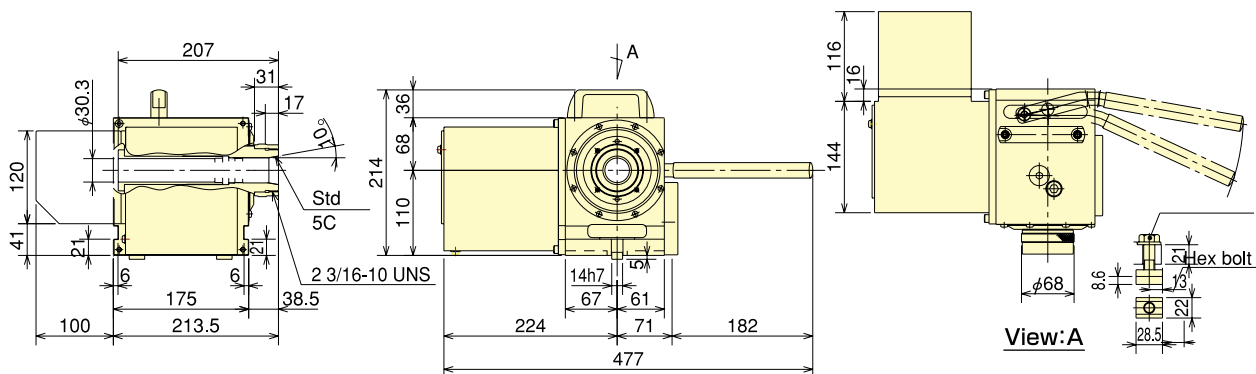
TC100 Specifications

Model	Spindle	Centre height (mm)	Spindle hole (mm)	Collet Thrust force (kN)	Gear Ratio	Allowable Load(kg)	
						Vertical	Horizontal
TC100	5C Collet chuck adaptation	110	φ30.3	4.8	1/36	30	60

Model	Allowable work inertia (kg·m ²)	Max. spindle speed (min ⁻¹)	Indexing accuracy (sec)	Repeatability (sec)	Mass of product (kg)
TC100	0.054	83.3	45	5	24

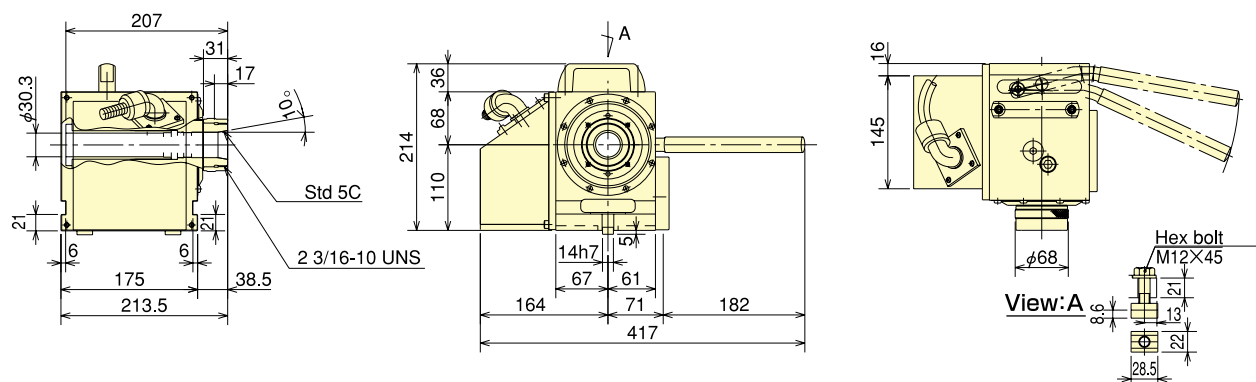
Dimensions

TC100 [4th axis specifications]



Clamping Device

TCM100 [Kitagawa own controller] *The dimensions may vary from motor to motor that is mounted.



Clamping Device

※Max. table rotation is subject to 3000 min⁻¹ of a motor.