

NC ROTARY TABLE

Exclusive NC Rotary Table for Wire Cutting Electric Discharge Machinery

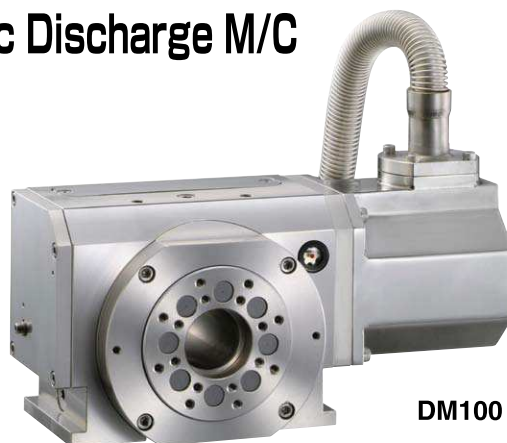
DM100・DME100

※DME100 : with Encoder type

Exclusive table for Wire Cutting Electric Discharge M/C Reliable Performance for use in water

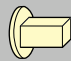
- Light weight・Compact
- Stainless Steel construction and special seals prevent rust and ensure waterproofing
- Large through hole for long work pieces (DM100)
- High accuracy and function
- Maintenance free accomplished by built-in current collector
- Special purpose vertical use
- Patented in Japan (No. 4354773)

*CE correspondence



DM100

Specifications

Model		DM100	DME100
Table dia (mm)		φ 100	φ 100
Register diameter on Face Plate (mm)		φ 45H7	φ 45H7
Spindle through hole diameter (mm)		φ 40	φ 26 / φ 36
Centre Height (mm)		65	65
Motor axis reduced inertia (kg·m ²)		0.000054	0.000054
Servomotor (for FANUC specification)		β M 0.5/4000 / β iS 0.5/6000	β M 0.5/4000 / β iS 0.5/6000
Gear ratio		1 / 120	1 / 120
Max. spindle speed	for FANUC specification (for min ⁻¹ / motor 360min ⁻¹)	3.0	3.0
	M signal specification (for min ⁻¹ / motor 360min ⁻¹)	3.0	—
Min. spindle speed	for FANUC specification (for min ⁻¹ / motor 0.33min ⁻¹)	0.00275	0.00275
	M signal specification (for min ⁻¹ / motor 3.6min ⁻¹)	0.03	—
Allowable work inertia (kg·m ²)		0.025	0.025
Indexing accuracy (sec)		30	16
Repeatability (sec)		5	4
Mass of product (kg)		20	25
Manual Tailstock (as an option)		DM100RN01	DM100RN01
Allowable Load	Vertical (kg) 	20	20
Max. Machine current (A)		20 or less	20 or less
Protection grade		IP68 (submerged 0.5m) However, piping opening part is excluded.	IP68 (submerged 0.5m) However, piping opening part is excluded.

Sample Application



▲Rust and waterproof for safe use in water.

(Note)

- There is no clamping method. The described fully-closed spec. Is with Fanuc absolute α iCZ sensor A860-2164-T411.
- Product mass of DM100 is determined by Kitagawa own controller spec.
- Product mass of DME100 is determined by a FANUC spec.
- DME100 is available for 4th axis spec only.

4th axis specifications

DM 100 R * * *

Type
DM: Standard
DME: with Encoder type

Table Size
100

Design No.
Motor type

Right hand

M signal specification

DM 100 R V * * *

Type

Table Size
100

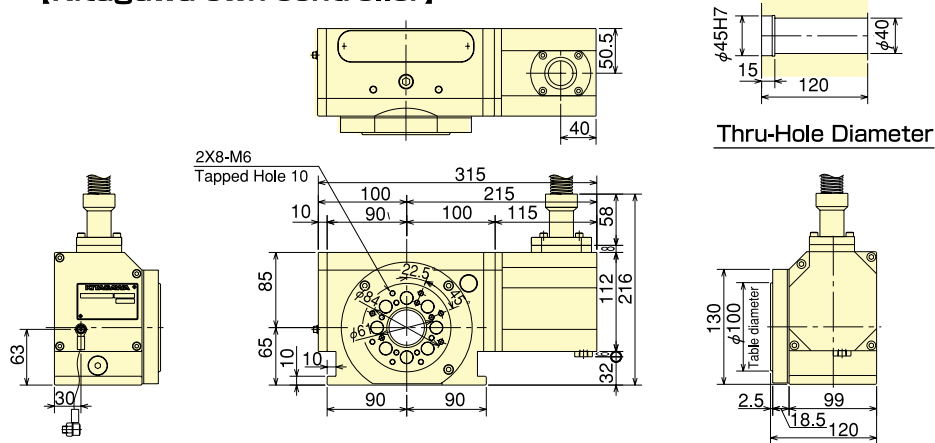
Design No.
Quinte specification

R: Only Right hand

Dimensions

DM100

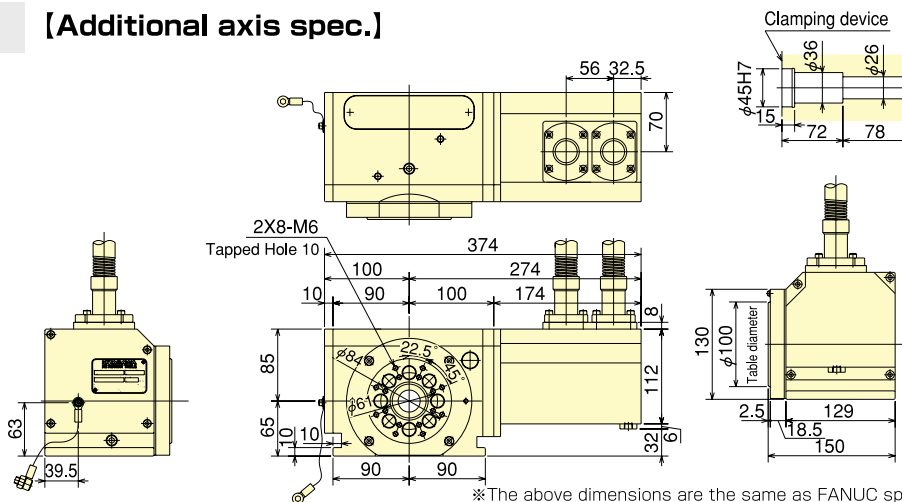
[Additional axis spec.] *The dimensions may vary from motor to motor that is mounted.
[Kitagawa own controller]



*The above dimensions are the same as Kitagawa own controller and FANUC specifications. Those dimensions may vary from motor to motor that is mounted.

DME100

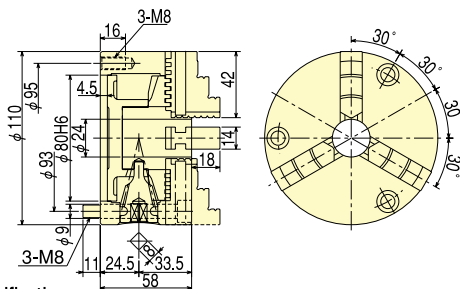
[Additional axis spec.]



*The above dimensions are the same as FANUC specifications. In case of other maker motor specifications, dimensions may differ in length.

Scroll chuck SC-4D dimensions.

*Rustproof casing, cover and pinion.



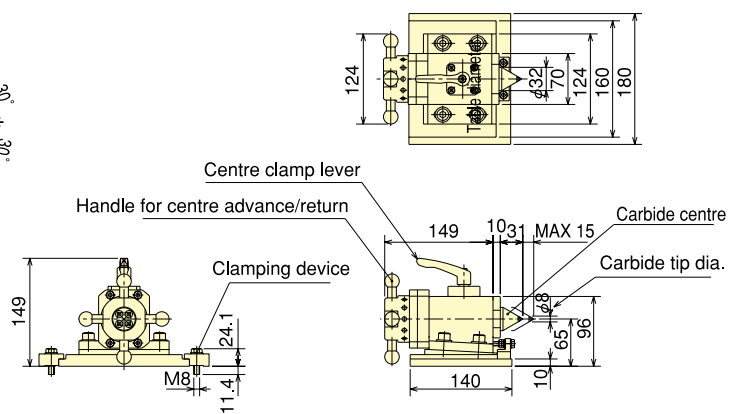
Specifications

Max. allowable handle torque (N·m)	Max. static gripping force (kN)	Max. allowable speed (min ⁻¹)
44.1	12	100

Mass (kg)	Moment of inertia (kg·m ²)	Gripping diameter(mm)	
		Outside gripping	Inside gripping
3.1	0.004	φ 3~φ 95	φ 29~φ 84

Manual tailstock DM100RN01 dimensions.

*Rust proof and waterproof. Long work pieces can be supported securely.



Product mass 11kg